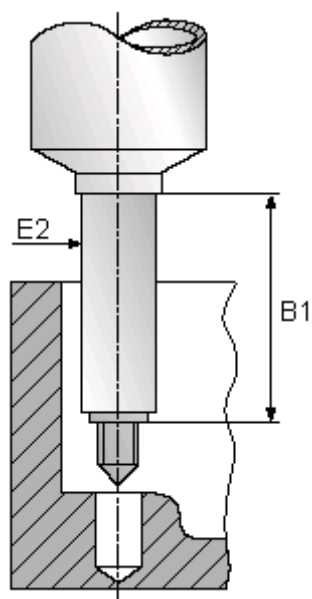


Article number: 12621000270000

Description: Industrial tool 621 000 270.000
For M27

Measures



B1 = 60

E2 = 35

For thread = M27